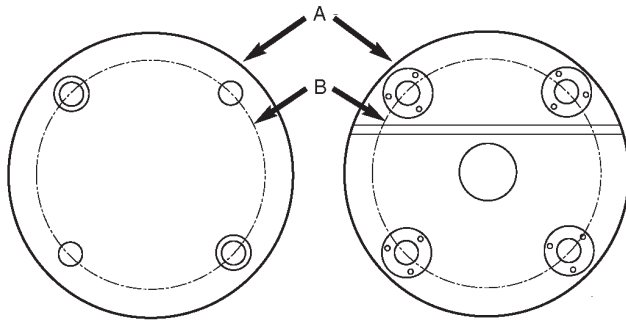


Round Ball Lock® Fixture Plates and Subplates

Standard Round



Fixture Plate

Subplate

Cast Aluminum, FreeMax™ or Steel equivalent

Fixture Plate (mm)

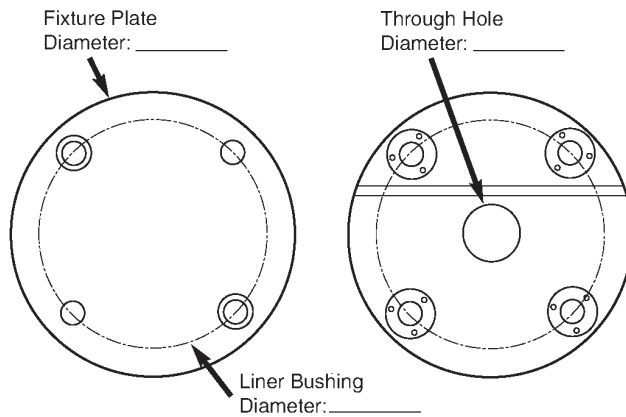
Part Number	A (mm)	B (mm)	Thickness (mm)	Ball Lock® Liner (mm)	Ball Lock® Shank	Weight (Kgs)
58707	200	150	20	16	49657	1.6
58708	250	200	25	20	49652	3.2
58709	300	250	25	20	49652	5.0

Subplate (mm)

Part Number	A (mm)	B (mm)	Thickness (mm)	Ball Lock® Receiver (mm)	Center Hole (mm)	Weight (Kgs)
59107	200	150	20	16	25	5
59108	250	200	25	20	50	9.6
59109	300	250	25	20	50	15

Note: Equivalent system available in inch dimensions.

Custom Round Plates



- Cast Aluminum or FreeMax™ is steel or equivalent
- Thickness ± 0.13mm
- Parallel within 0.025mm Steel

Indexer:

Make: _____
 Model: _____
 Diameter: _____
 Light Duty or Heavy Duty: _____
 Through Hole Bore: _____

CNC Machine:

Make: _____
 Model: _____
 Weight Capacity: _____

Indexer Faceplate:

T-Slot Size: _____
 Configuration/Orientation: _____
 or
 Drilled Tapped Hole Size: _____
 Configuration/Orientation: _____

Engineering Changes

Product improvement is a continuing process at Jergens. Specifications and engineering data are subject to change without notice. If current information is critical to your design, it is suggested that you contact Jergens Technical Sales Department to verify any dimensions or specifications.